

WRGT Type

Examples of model number formation

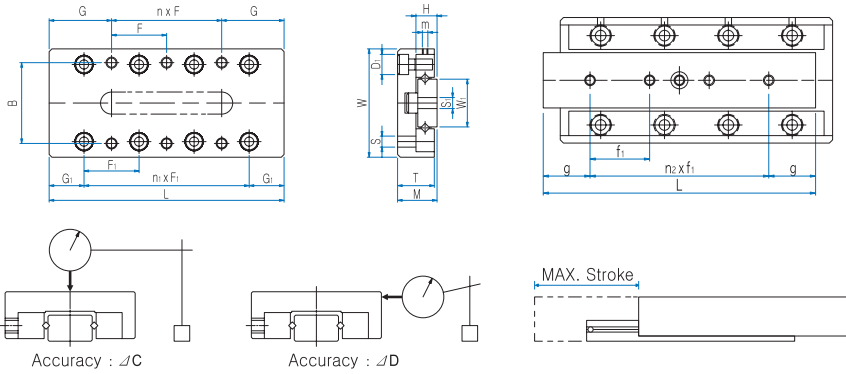
WRGT	2	055
1	2	3

- 1 Part No. 2 Roller Size 3 Length of Race rail
 4 Hole Type onto the middle rail : Tab(No symbol), Hole(B)

* Please inquire us for your specially required dimensions & applicaton



Part No.	Main Dimensions				Dimensions of the table-surface								
	Max. Stroke	Width W ±0.1	Height M ±0.1	Length L ±0.1	Location of taps onto the table					Fi	ni×Fi	Di	Gi
					B	F	n×F	G	S				
WRGT 1025	12			25		18	1×18	3.5			1×10		
WRGT 1035	18			35		28	1×28	3.5			2×10		
WRGT 1045	25			45		20	1×20	12.5			3×10		
WRGT 1055	32	20	8	55	14	30	1×30	12.5	M2.6	10	4×10	4.1	7.5
WRGT 1065	40			65		20	2×20	12.5			5×10		
WRGT 1075	45			75		30	1×30	22.5			6×10		
WRGT 1085	50			85		30	2×30	12.5			7×10		
WRGT 2035	18			35		28	1×28	3.5			1×15		
WRGT 2050	30			50		43	1×43	3.5			2×15		
WRGT 2065	40			65		30	1×30	17.5			3×15		
WRGT 2080	50	30	12	80	22	45	1×45	17.5	M3	15	4×15	6	10
WRGT 2095	60			95		30	2×30	17.5			5×15		
WRGT 2110	70			110		45	1×45	32.5			6×15		
WRGT 2125	80			125		45	2×45	17.5			7×15		
WRGT 3055	30			55		40	1×40	7.5			1×25		
WRGT 3080	45			80		65	1×65	7.5			2×25		
WRGT 3105	60			105		50	1×50	27.5			3×25		
WRGT 3130	75	40	16	130	30	75	1×75	27.5	M4	25	4×25	7.5	15
WRGT 3155	90			155		50	2×50	27.5			5×25		
WRGT 3180	105			180		75	1×75	52.5			6×25		
WRGT 3205	130			205		75	2×75	27.5			7×25		



Unit : mm

Dimensions of the side				Dimensions of the bed-surface				Basic load ratings		Accuracy μm		Part No.
T	H	W_1	m	S_1	f_1	$n_2 \times f_1$	g	Dyn. C (kN)	Stat. Co (kN)	ΔC	ΔD	
7.5	4	6.6	M2	M2.6	4.5	2×7.5	5	0.46	0.61	2	4	WRGT 1025
					10.0	2×10	7.5	0.63	0.92	2	4	WRGT 1035
					10.0	3×10	7.5	0.95	1.53	2	5	WRGT 1045
					10.0	4×10	7.5	1.09	1.84	2	5	WRGT 1055
					10.0	5×10	7.5	1.23	2.14	2	5	WRGT 1065
					10.0	6×10	7.5	1.50	2.75	2	5	WRGT 1075
					10.0	7×10	7.5	1.63	3.06	2	5	WRGT 1085
11.5	6	12.0	M2	M3	20.0	1×20	7.5	0.84	1.08	2	4	WRGT 2035
					15.0	2×15	10	1.17	1.63	2	4	WRGT 2050
					15.0	3×15	10	1.46	2.17	2	5	WRGT 2065
					15.0	4×15	10	2.01	3.25	2	5	WRGT 2080
					15.0	5×15	10	2.27	3.79	2	5	WRGT 2095
					15.0	6×15	10	2.52	4.34	2	5	WRGT 2110
					15.0	7×15	10	2.76	4.88	2	5	WRGT 2125
15.5	8	16.0	M2	M4	35.0	1×35	10	2.71	3.67	2	5	WRGT 3055
					25.0	2×25	15	4.06	6.11	2	5	WRGT 3080
					25.0	3×25	15	4.68	7.33	3	6	WRGT 3105
					25.0	4×25	15	5.86	9.78	3	6	WRGT 3130
					25.0	5×25	15	6.98	12.2	3	6	WRGT 3155
					25.0	6×25	15	8.05	14.7	3	6	WRGT 3180
					25.0	7×25	15	8.57	15.9	3	6	WRGT 3205

1N \approx 0.102kgf

Cross Roller Guide Way